

1	2	3	4
RevNo	Revision note	Date	Signature
			Checked

A

A

B

B

C

C

D

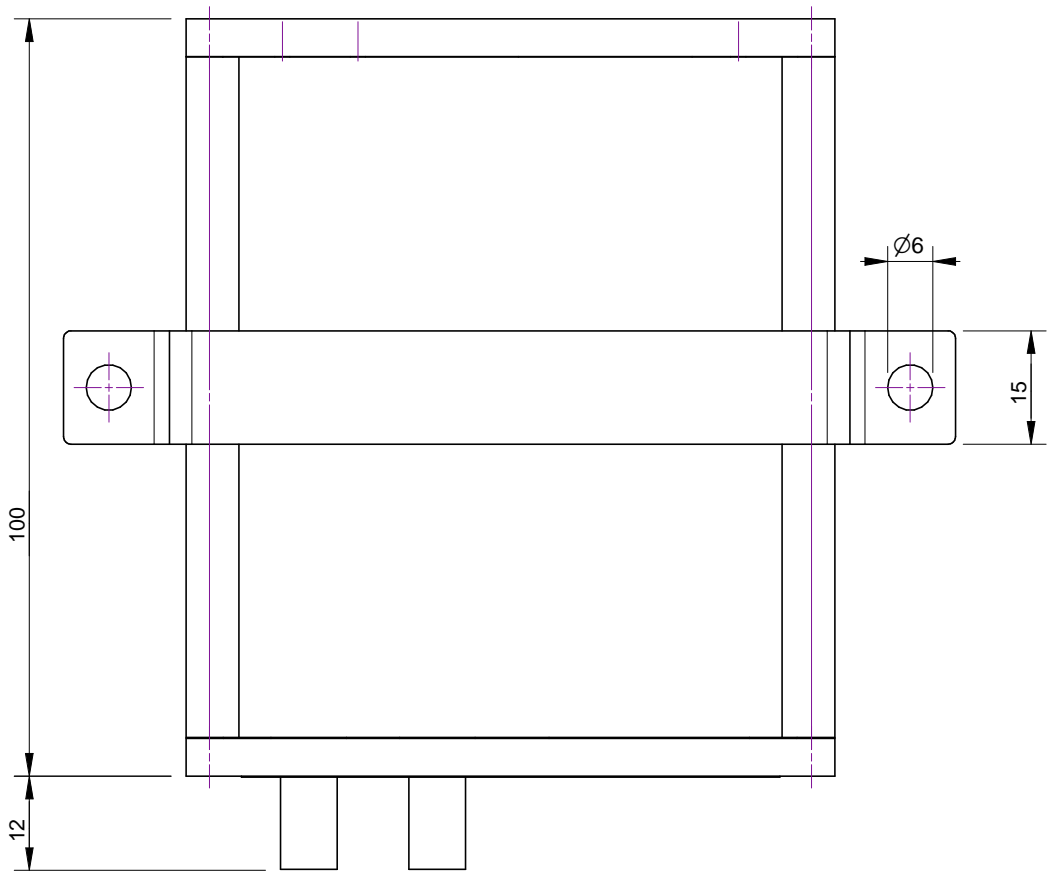
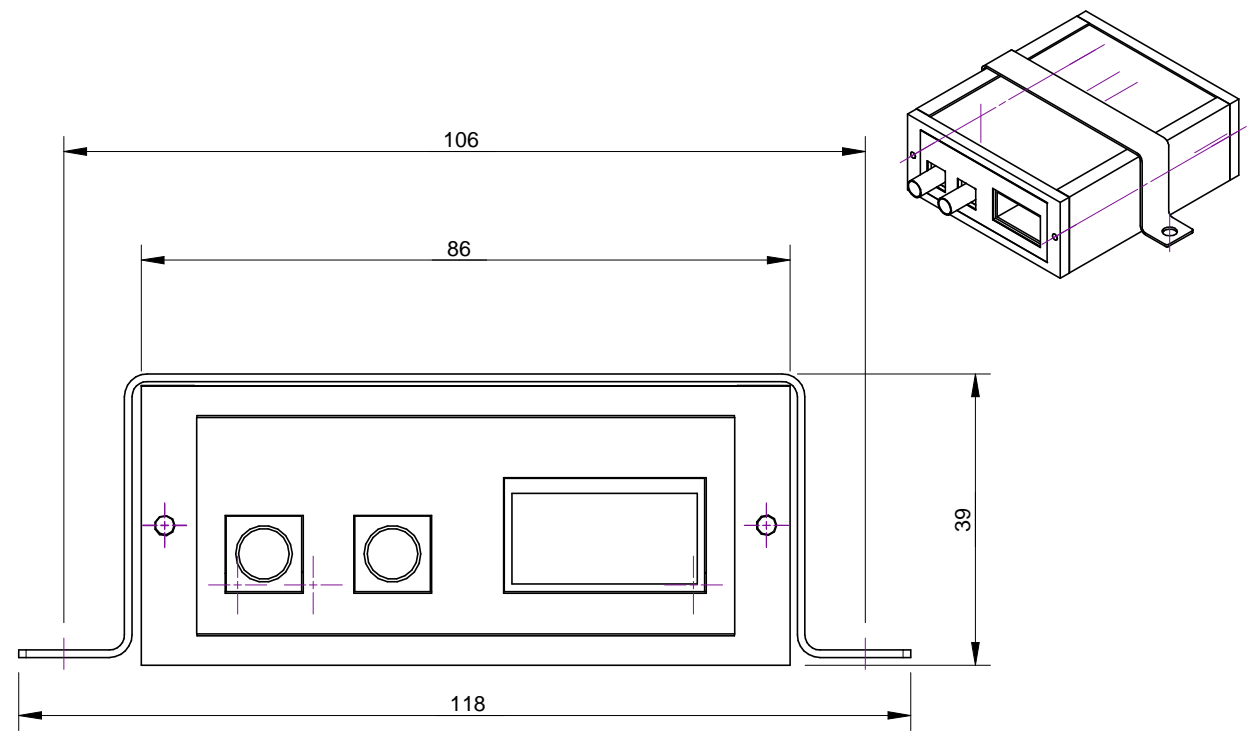
D

E

E

F

F



Itemref	Quantity	Title/Name, designation, material, dimension etc			Article No./Reference	
Drawn by Magnus Beischer	Checked by	Approved by - date	File name	Date 2010-03-07	Scale	
<b>MX-1 VB Edge</b> <b>Host Mobility AB</b>			<b>HMP 030/1</b>			
			1911-HMP 030/1		Edition A	Sheet 1 (1)